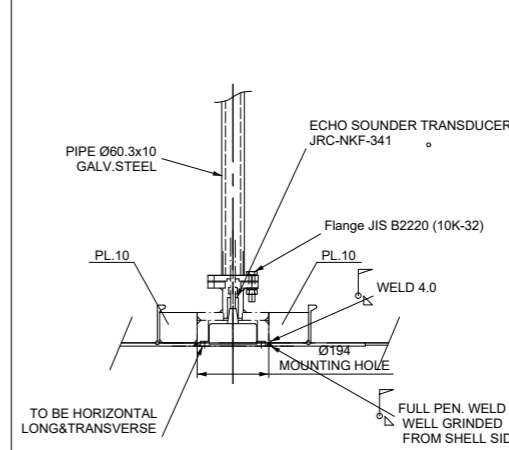
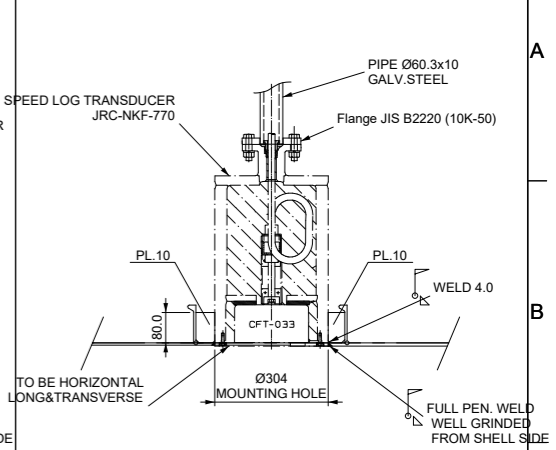


DETAIL FOR ECHO SOUNDER

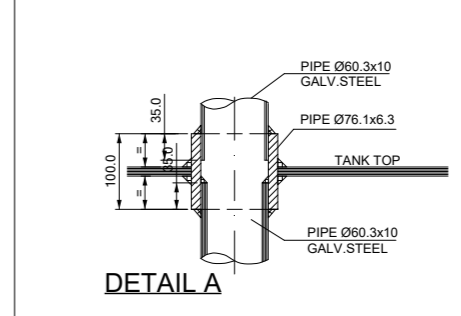


DETAIL 1
SCALE 1:10

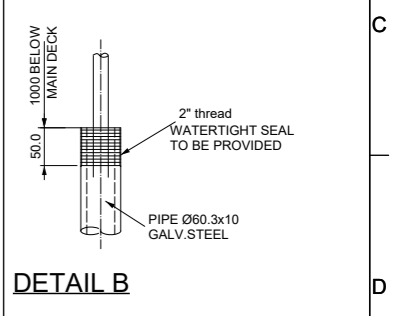
DETAIL FOR SPEED LOG



DETAIL 2
SCALE 1:10

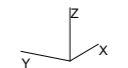


DETAIL A



DETAIL B

WEIGHT AND CENTRE OF GRAVITY:			
WEIGHT, kg (APPROX.)	LONGITUDINAL, m (X)	TRANSVERSE, m (Y)	VERTICAL, m (Z)
185.0	28.9	-1.8	0.4

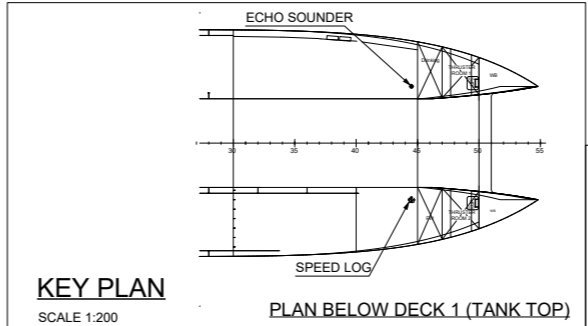


X=0 => FRAME 0 (POSITIVE IN POSITIVE FRAMES)
Y=0 => FROM CL. (POSITIVE TO PORT SIDE)
Z=0 => FROM BASE LINE (POSITIVE UP)

- NOTES:**
- SCANTLING DRAUGHT 2.8 m
 - HIGH SENSITIVE EQUIPMENT!!!, TO BE MOUNTED ACC. TO SUPPLIERS RECOMMENDATIONS
- REF. DRAW.:**
- 62-107-111 COORDINATION ARR. IN DOUBLE BOTTOM
 - JRC INSTRUCTIONS AND MANUALS
- WELD:**
- 4.0 UNLESS NOTED OTHERWISE
- MATERIAL**
- NVA, HOT DEEP GALVANIZED UNLESS NOTED OTHERWISE

REV. NO.	REVISION	DATE	APPR
2	Changed pipe construction	04.09.14	PMT
1	Positions moved due to comment from shipyard	10.06.14	SM
0	Issued for production	04.06.14	SM
A	Issued for appr./comm.	02.06.14	HJB

CLIENT		WESTERN BALTIJA SHIPBUILDING	
DATE		SCALE	
TITLE		DRAWING NO.	
ECHO SOUNDER AND SPEED LOG		30.05.14	
ARRANGEMENT OF BOTTOM MOUNTED		CKD	
UNITS		APPR.	
OWNER	YARD	CLASSIFICATION	MARITIME AUTH.
MULTI MARITIME A/S	P.O. Box 90, N-6801 FØRDE	PROJECT NO.	YARD NO.
	Phone 47 57823000	297/2	62
	Telefax 47 57828451	FILE NAME / DRAWING NO.	SFI
	E-mail firmapost@multi-maritime.no	62-414-101	414
Approved			REV. NO.
			2



KEY PLAN
SCALE 1:200

This drawing is the property of MULTI MARITIME A/S. It must not be copied or divulged to any unauthorized third party without written authorization from MULTI MARITIME A/S. The receipt of the drawing implies that the conditions as mentioned herein are accepted.

MULTI MARITIME A/S
N-6801 FØRDE